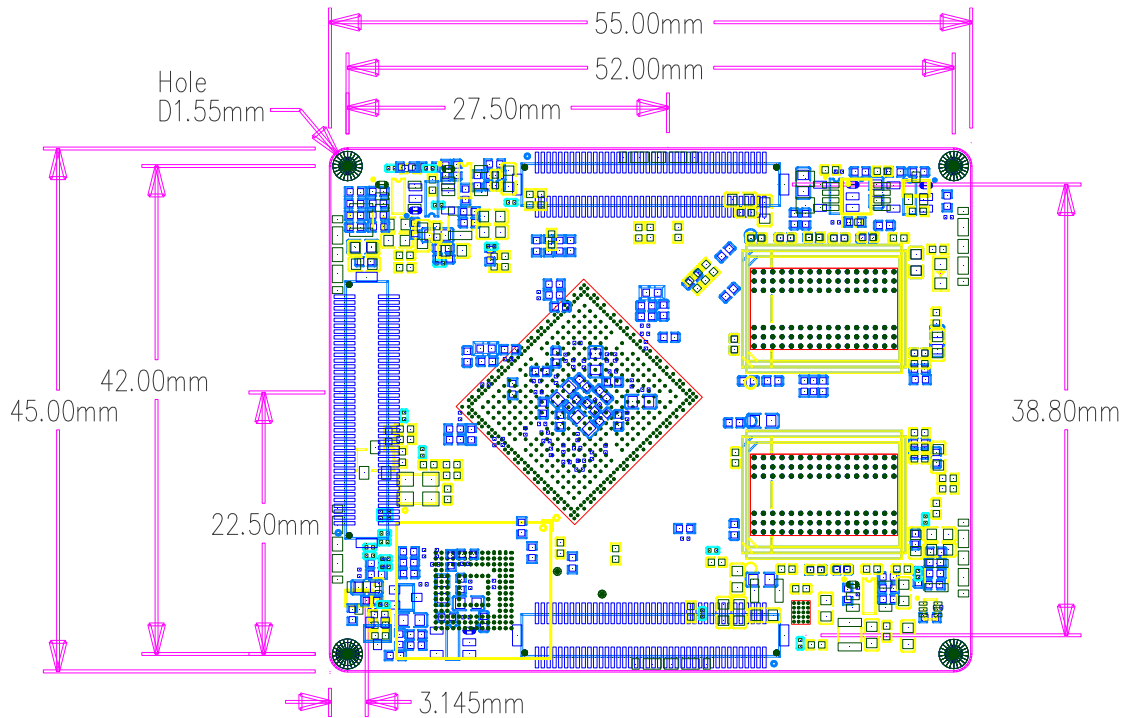






## 1 PCB Dimension

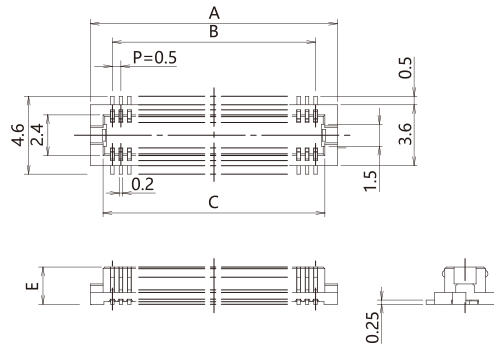
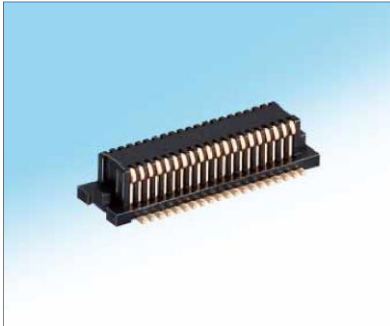


## 2 Interface Connection

The [SBC3566](#) carrier board and core board ([MINI3566](#)) is connected via a board-to-board (BTB) double groove connection. The Receptacle *DF12NC(3.0)-80DS-0.5V(51)* is on the CPU board, and the Header *DF12NC(3.0)-80DP-0.5V(51)* on the baseboard.

## 2.1 Receptacle Specifications

### ■ Receptacle Without Solder Tab



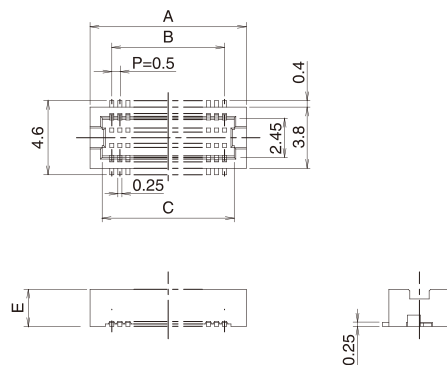
#### ● Stacking Height : 3mm Product

Unit : mm

Part No.	HRS No.	No. of Pos.	A	B	C	E	Remarks	RoHS
DF12NC(3.0)-80DS-0.5V(51)	537-0285-0 51	80	22.1	19.5	20.6	2.2	Without Solder Tab	YES

## 2.2 Header Specifications

### ■ Header Without Solder Tab



#### ● Stacking Height : 3mm Product

Unit : mm

Part No.	HRS No.	No. of Pos.	A	B	C	E	Remarks	RoHS
DF12NC(3.0)-80DP-0.5V(51)	537-0492-0 51	80	22.2	19.5	20.7	2.3	Without Solder Tab	YES