

Serial Controller ST6001S

Specifications
V1.1

Electrical Parameter

Supply Voltage and Current

- +12VDC, normal (+11V to +13VDC).
- 100mA, typical at +12VDC, Average power consumption is 1.2w , typical.
- Supply must be capable of sourcing 200mA, minimum.
- Total noise and ripple requirement must be less than 50 mV (p-p) for frequencies above 1 MHz.

Interface

- EIA 232E (Serial RS-232),DCE configuration. 8 Data Bits, 1 Stop Bit, No Parity, Full Duplex.
Baud rate:9600.

Touch Resolution

- 4096×4096

Conversion Time

- Approximately 10.4 ms per coordinate set (including transmitting time).

Touch Activation Force

- Touch force less than 80g(adjust allowed).

Environment Parameter

- Operating Temperature: 0℃~+65℃
Storage Temperature: controller: -20℃~+85℃
- Humidity
Operating: 10% to 90%, non-condensing
Storage: 10% to 90%, non-condensing
- Operation Altitude
3000m

Reliability

- MTBF is greater than 300,000 hours per MIL-HDBK-217-F2 using the parts stress calculation method for ground benign environment with an ambient temperature of 25℃.

ESD

- Per EN 61000-4-2: Contact discharge 4kV, air discharge 8KV.

Flammability

- The printed circuit board substrate is rated with 94V0.

Agency Approval

- CE, FCC,UL

ROHS Declaration

- The Serial Controller ST6001S is ROHS compliant.

Physical Characteristics

Construction

Multi-layer surface-mount design with internal ground plane for EMI suppression

-Dimensions

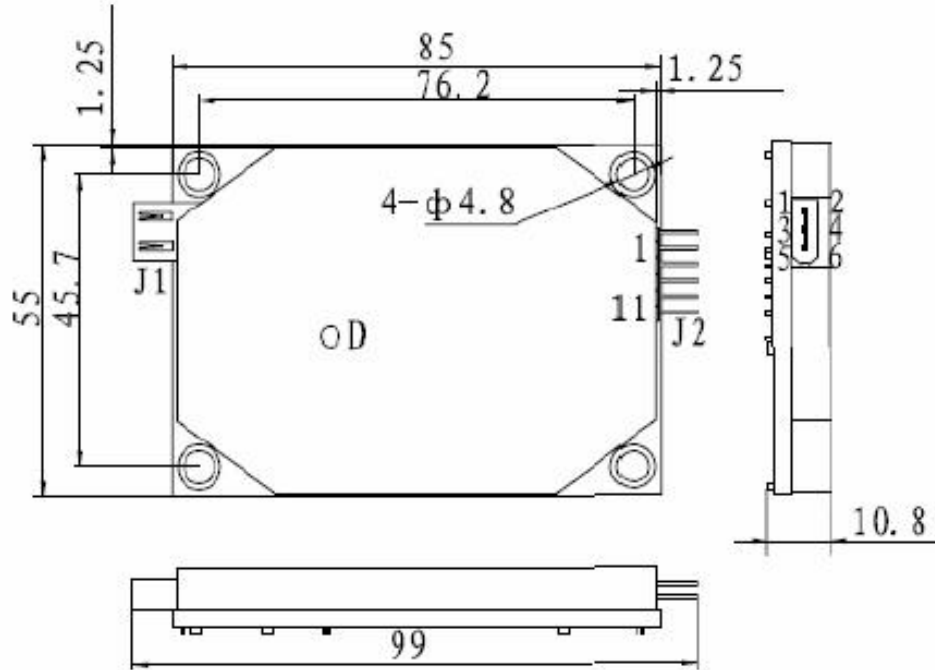
Total Width: 55mm

Total Length:99 mm

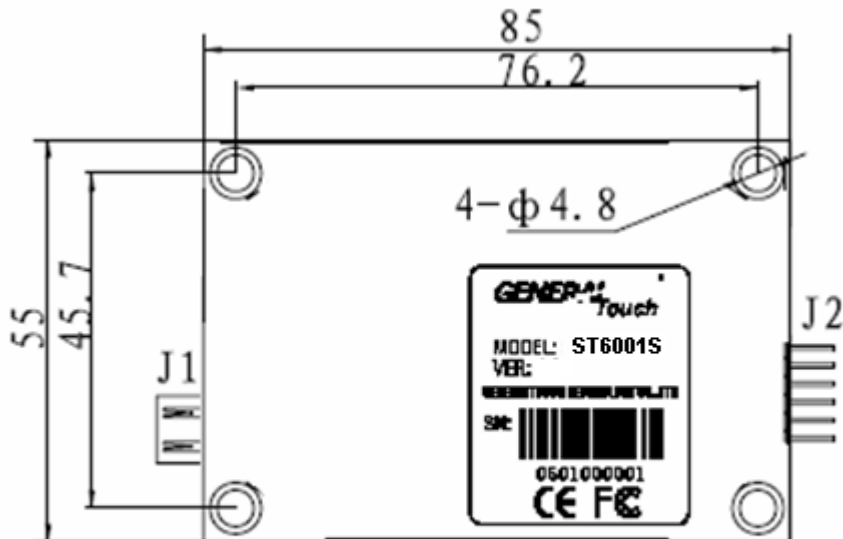
Total height: 10.8mm (Including connectors)

Appendix :

Fig. 1: Dimensions



Top and side view



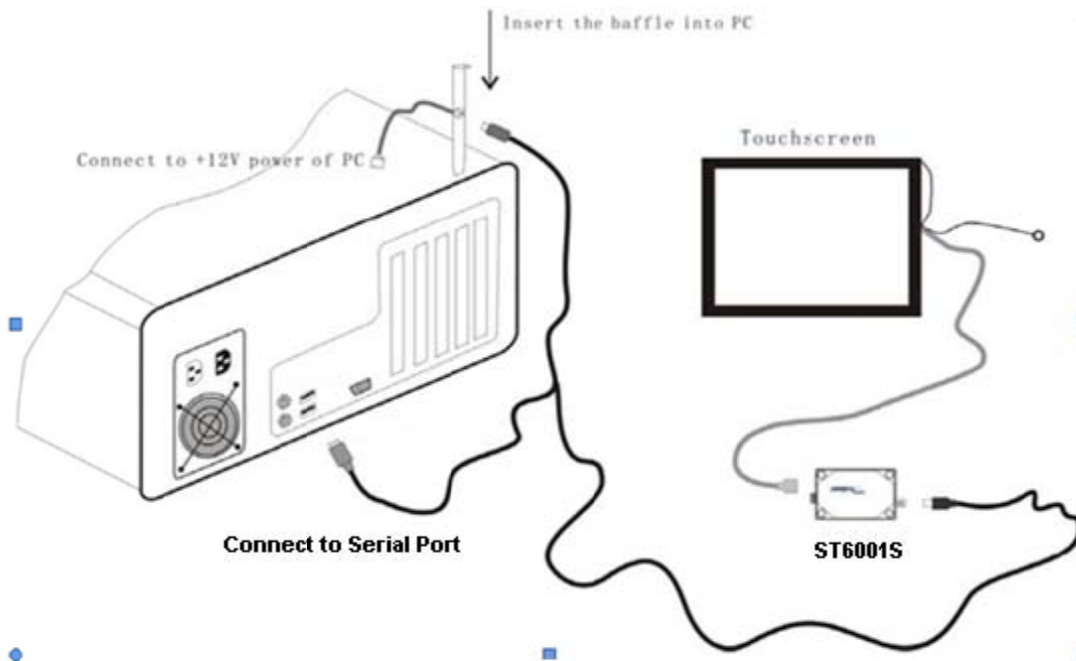
Bottom view

Controller Port

J1			
1	NC	4	NC
2	RXD	5	GND
3	TXD	6	+12V

Note: The communication signal definition stands on the side of PC

Fig. 2: Connect to the computer



Operation platform

Windows98/ME

Windows 2000/XP

You can get these drivers download from our website:

www.generaltouch.com